



ST 500-M

MID Printer

Data sheet: *DS/ST/0004/EN Ed. 01-2019*

www.isoilmeter.com

The ST 500-M is a printing system designed to get printing reports directly from ISOIL's electronic counters VEGA II, VEGA T and VEGA 3.

ST500-M is based on a 80 columns needle printer, equipped with a specific data converter module allowing:

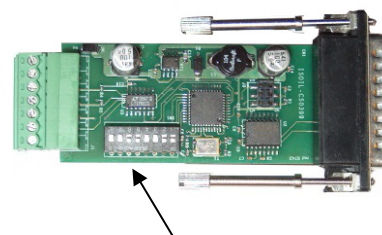
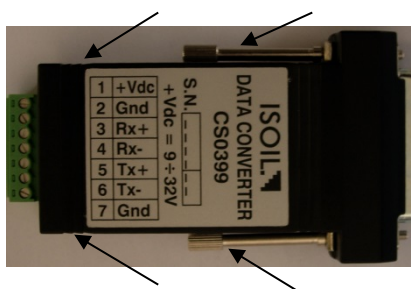
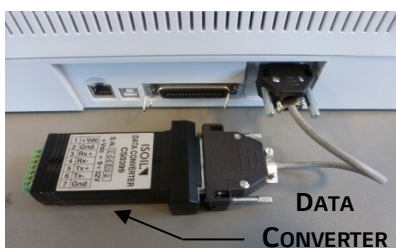
- control of the data received from the VEGAs via CRC16 (Cyclic Redundancy Control) algorithm
- sharing of the printer with several VEGAs by RS422/RS485 multipoint serial line communication .



Features

- Managing of printing reports of up to 16 VEGA electronic counters
- Proprietary protocol for VEGA II, VEGA T and VEGA 3.
- Compliant with MID Directive (DIR. 2014/32/UE)
- Managing of data sent to the printer thanks to a CRC16 (Cyclic redundancy check)
- Self-diagnosis (printer check, paper check, serial communication time-out)
- Simple and user-friendly operator panel for:
 - Printer configuration,
 - Status check,
 - Paper loading.

Data Converter Assembling



The DATA CONVERTER is connected directly to the RS232 serial line connector (SUB-D type 9 pins) on the back side of the printer.

Connect the DATA CONVERTER with fixing screws.

The module is equipped with a desktop power supply.

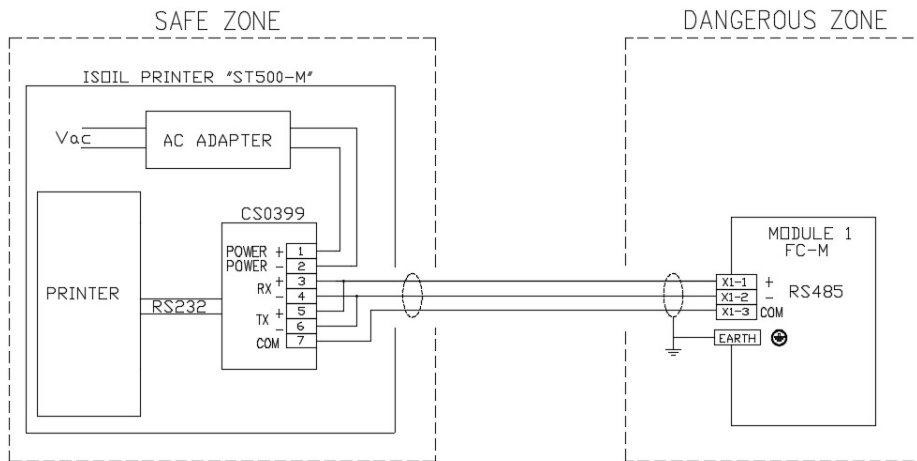
Open the module by levering the points indicated by the arrows with a screwdriver.

Use the DIP-SWITCH to set the following parameters:

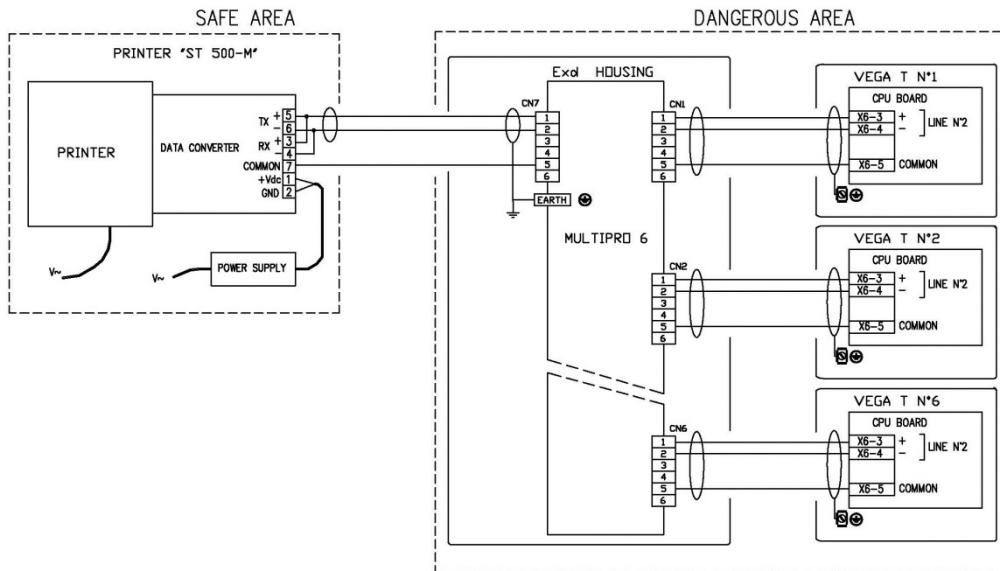
- DP1÷DP4 number of electronic counters and corresponding serial address
- DP5 baud serial line RS422-RS485 (VEGA),
- DP6 baud rate serial line RS232 (printer).
- DP7 e DP8 reserved.

Connections to VEGA electronic counters

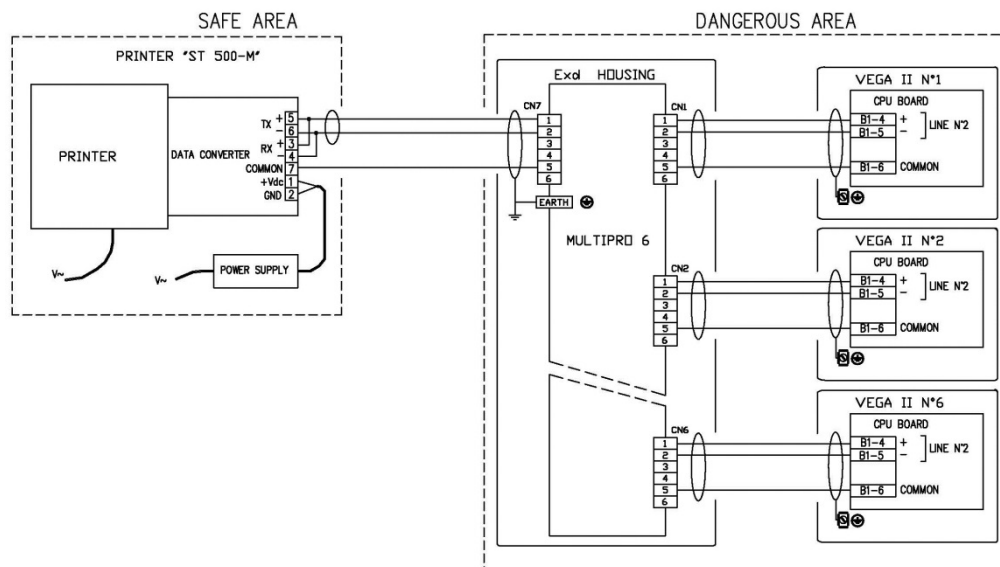
WITH VEGA 3



WITH N.6 VEGA T - RS485 2 WIRES



WITH N.6 VEGA II - RS485 2 WIRES



www.isoilmeter.com

Working parameters

N. OF VEGA	1	2	3	4	5	6	7	8	9	10	11	12	13	14	15	16
ADDRESSES	01	01 ÷ 02	01 ÷ 03	01 ÷ 04	01 ÷ 05	01 ÷ 06	01 ÷ 07	01 ÷ 08	01 ÷ 09	01 ÷ 10	01 ÷ 11	01 ÷ 12	01 ÷ 13	01 ÷ 14	01 ÷ 15	01 ÷ 16
DIP1	OFF	ON	OFF	ON	OFF	ON	OFF	ON	OFF	ON	OFF	ON	OFF	ON	ON	ON
DIP2	OFF	OFF	ON	ON	OFF	OFF	ON	ON	OFF	OFF	ON	ON	OFF	OFF	ON	ON
DIP3	OFF	OFF	OFF	OFF	ON	ON	ON	ON	OFF	OFF	OFF	OFF	ON	ON	ON	ON
DIP4	OFF	OFF	OFF	OFF	OFF	OFF	OFF	OFF	ON	ON	ON	ON	ON	ON	ON	ON

BAUD RATE RS422-485	9.600	19.200
DIP5	OFF	ON

BAUD RATE RS232	9.600	19.200
DIP6	OFF	ON

DIP7	RISERVATO
DIP8	RISERVATO

Technical features

	PRINTER	DATA CONVERTER
Working temperature:	5 ÷ 40 °C	5 ÷ 40 °C
Dimensions:	485x267x200 mm	110x50x30 (Power supply) 100x60x25 (Interface module)
Cable:	2 m	1,8 + 2 m
Power supply:	100÷240 Vac; 47÷63 Hz	90-264 Vac; 47÷63 Hz
Power consumption:	60 W	2 W
MID Climatic class (DIR. 2014/32/UE):	H1	H1
MID Mechanical class (DIR. 2014/32/UE):	M1	M1
MID Electrical class (DIR. 2014/32/UE):	E1	E1