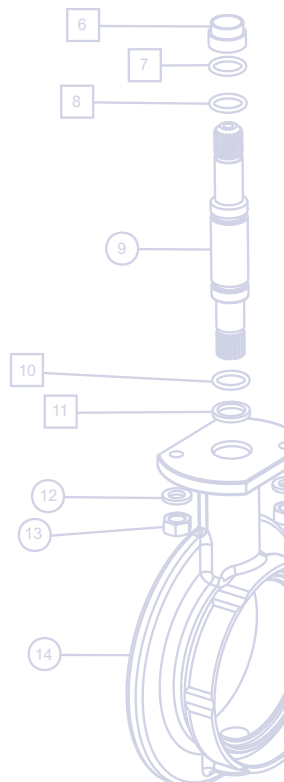
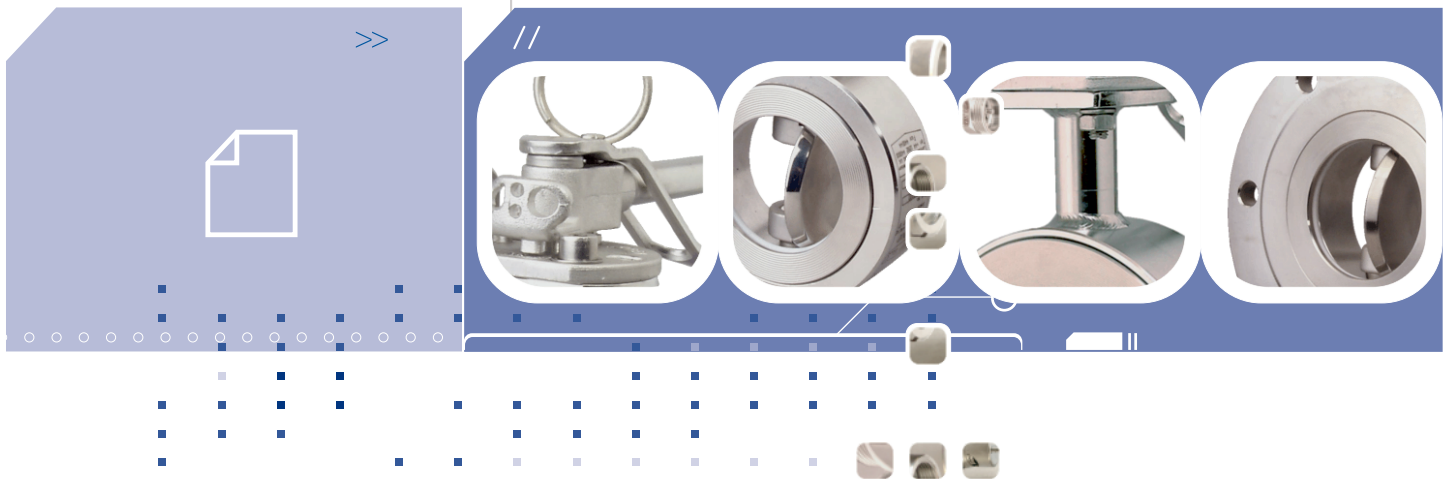




BUTTERFLY
VALVE
CATALOGUE
//



The Fort Vale
Range of
Butterfly Valves



PAGE

2" BUTTERFLY VALVES //

- » 2" Clamped Widdop Butterfly Valve

1

3" BUTTERFLY VALVES //

- » 3" Hygienic Butterfly Valve
- » 3" Clamped Widdop Butterfly Valve
- » 3" Clamped Pneumatic Widdop Butterfly Valve
- » 3" Flanged Widdop Butterfly Valve
- » 3" Flanged Widdop Butterfly Valve - dual drilled inlet
- » 3" Tank-Pro Road Tanker Butterfly Valve
- » 3" Unify Road Tanker Butterfly Valve
- » TW80 Clamped Butterfly Valve

2

3/4

5/6

7/8

9/10

11/12

13/14

15

4" BUTTERFLY VALVES //

- » TW100 Clamped Butterfly Valve
- » 4" Clamped Widdop Butterfly Valve

16

17/18

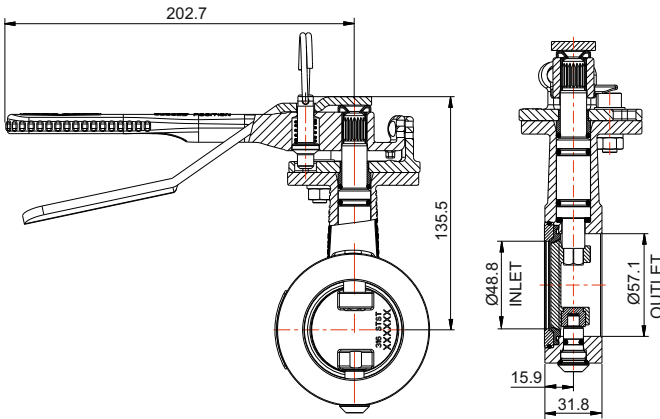


2" Clamped Butterfly Valve - left hand operated with TIR and padlock facility to handle. Contact parts manufactured in 316 stainless steel with PTFE main seal.

Options - Alternative seal materials. Alloy C276 version. 904L version. Available with pneumatic actuation. A range of 3" and 4" clamped valves is available.

Fitting Details

Part Number : 355/7000



Specification

Weight	2.18 Kgs
Design Pressure (MAWP)	6 Bar (87 PSI)
Test Pressure	10 Bar (145 PSI)
Design Temperature	-40°C to 200°C (-40°F to 392°F)

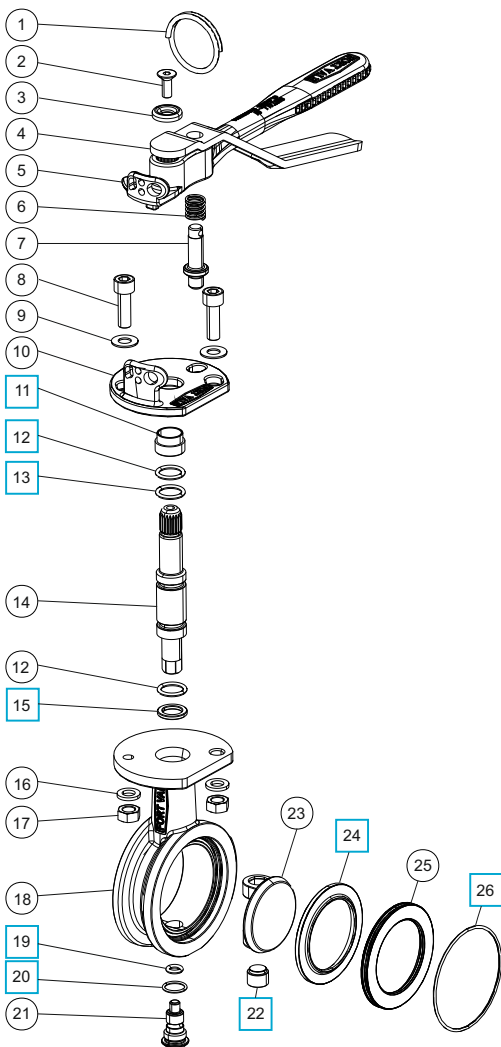
Approved to BS EN14432.

Associated Parts

Associated Parts	Part No.
CNAF/PTFE inlet gasket *Note	5005-724
CNAF/PTFE outlet gasket *Note	6005-610

Note: Gasket drilling 4 x 18mm holes on a 125mm PCD.

Parts drawing



Item	Description	Part No.
1	Split ring	368/0011
2	M6 countersunk bolt	5111-030
3	Washer	20370
4	Operating lever	368/9837
5	Handle	368/0050
6	Handle location spring	368/0012
7	Handle location pin	368/0010
8	Sockethead capscrew (2)	5111-148
9	Plain washer (2)	5113-005
10	Stuffing clamp	368/0040
11	PTFE stuffing clamp bush	368/0301 <input type="checkbox"/>
12	PTFE O ring (2)	20363 <input type="checkbox"/>
13	Viton O ring	20361 <input type="checkbox"/>
14	Spindle	355/5020
15	PTFE spindle seat	355/5009 <input type="checkbox"/>
16	Spring washer (2)	5113-003
17	Full nut (2)	5112-001
18	Body	355/7010
19	PTFE O ring	5005-541 <input type="checkbox"/>
20	PTFE O ring	5005-048 <input type="checkbox"/>
21	Bottom spindle	355/5005
22	PTFE lower bush	355/5007 <input type="checkbox"/>
23	Closure plate	355/5030
24	PTFE main seal	355/0202 <input type="checkbox"/>
25	Seal clamp plate	355/0201
26	EPDM O ring	5005-476 <input type="checkbox"/>

SEAL KIT

Part number **355/70SK** contains all parts marked

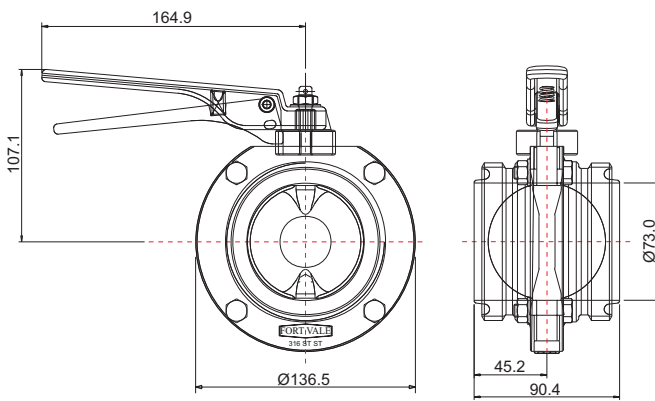


3" Concentric Disc Butterfly Valve - Suitable for hygienic applications. Inlet/outlet connections available include 3" BSP, 3" RJT, 3" Camlock, flanged and weld prepared. Single hand operation with TIR facility. Contact parts manufactured in 316 stainless steel fitted with Silicone seal as standard.

Options - Other seal materials available on request. Other connections available on request.

Fitting Details

Example shown : 358/160X



Associated Parts

Description	Part No.
3" BSP blank cap – seal separate	10303SS
3" RJT blank cap – seal separate	358/RJT3
3" Camlock cap – seal separate	90/DC300

Specification

Weight	4 Kg (See Note)
Design Pressure (MAWP)	4 Bar (58PSI)
Test Pressure	6 Bar (87 PSI)
Silicone Seal Design	
Design Temperature	-55°C to +200°C (-67°F to +392°F)

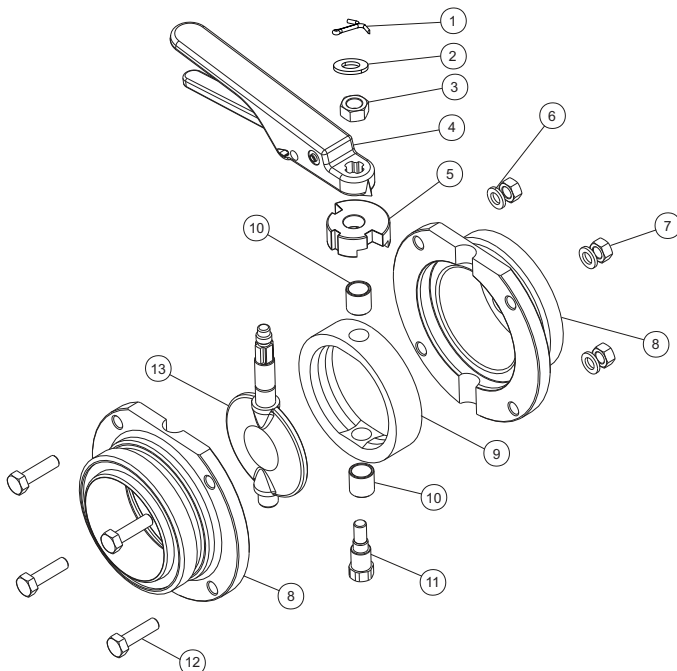
Note : Weight and seal design temperature varies

Range

Inlet	Outlet	Part No.
3" RJT	3" RJT	358/160X
3" RJT	3" BSP	358/1700
3" BSTD	3" RJT	358/1100
3" BSTD	3" BSP	358/0000
TW 80	3" BSP	358/120S
DIN 80	3" Camlock	358/3950X

"X" in part number indicates variable seal options.

Parts drawing



Item	Description	Part No.
1	3/32" split pin	5118-016
2	M10 plain washer	5113-009
3	M10 half nut	5112-032
4	Handle assembly	358/2010
5	Top flange	358/1605
6	Spring washer (4)	5113-003
7	M8 nut (4)	5112-001
8	Body half (2) – See Note	358/XXXX
9	Main seal	5005-58X
10	Spindle bearing (2)	358/3023
11	Lower bearing support	358/3024
12	M8 hex screw (4)	5111-038
13	Closure plate	358/3020C

"X" indicates that the part number varies according to the valve specification.



3" Clamped Butterfly Valve - left hand operated with TIR to handle and padlock facility. Contact parts manufactured in 316 stainless steel with PTFE main seal.

Options - lockable handle. "Congealing cargo" version with semi-spherical closure plate. Right hand operated version. Range of 2" and 4" clamped valves. TW style body available.

Specification

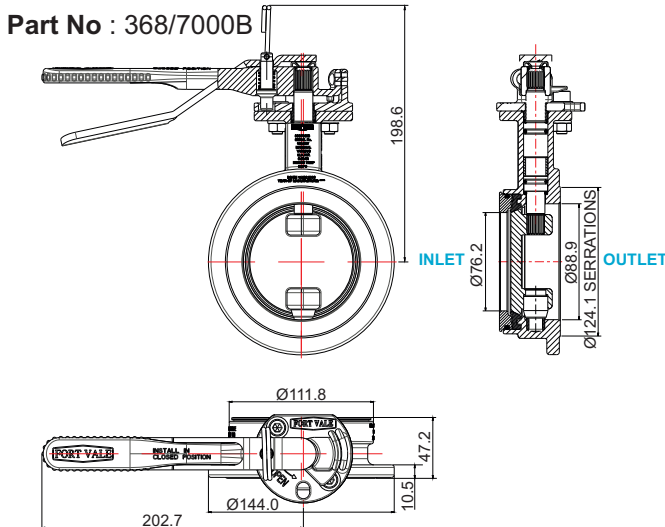
Weight	3.5 Kg
Design Pressure (MAWP)	6 Bar (87 PSI)
Test Pressure	10 Bar (145 PSI)
Design Temperature	-40°C to 200°C (-40°F to 392°F)

Design approvals by Lloyds Register of Shipping, Rijksdienst, SNCF, RMRS. Approved to BS EN14432

Range

Part No.	Description
368/7000B	Left hand standard butterfly valve
368/9110B	Left hand with semi-spherical closure plate
368/4000A	Right hand standard butterfly valve

Fitting Details

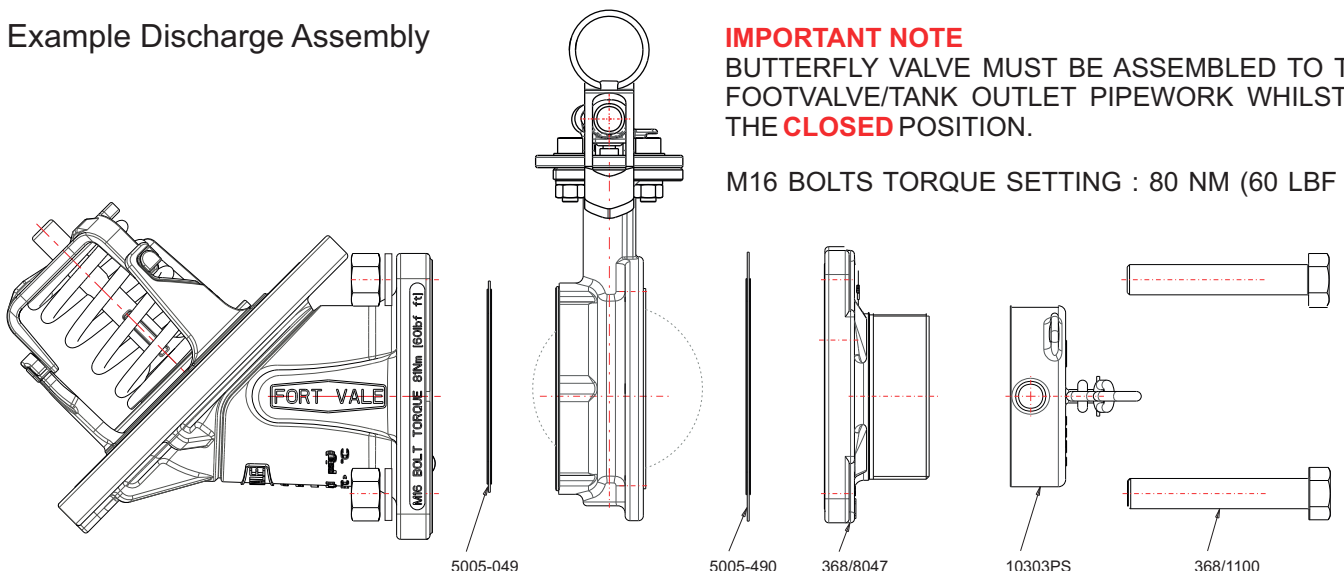


Associated Parts

Associated Parts	Part No.
CNAF/PTFE inlet gasket	5005-049
CNAF/PTFE outlet gasket	5005-490
CNAF/PTFE square inlet gasket - 4 hole	5005-198
CNAF/PTFE square outlet gasket - 4 hole	5005-195
Bolting kit	368/1100
3" BSP outlet flange	368/8047
3" BSP blank cap with PTFE washer	10303PS
3" Camlock outlet flange	368/8058
3" Camlock blank cap	90/DC300
3" NPT outlet flange	368/8049
3" NPT blank cap with PTFE washer	425/3250

Assembly Details

Example Discharge Assembly

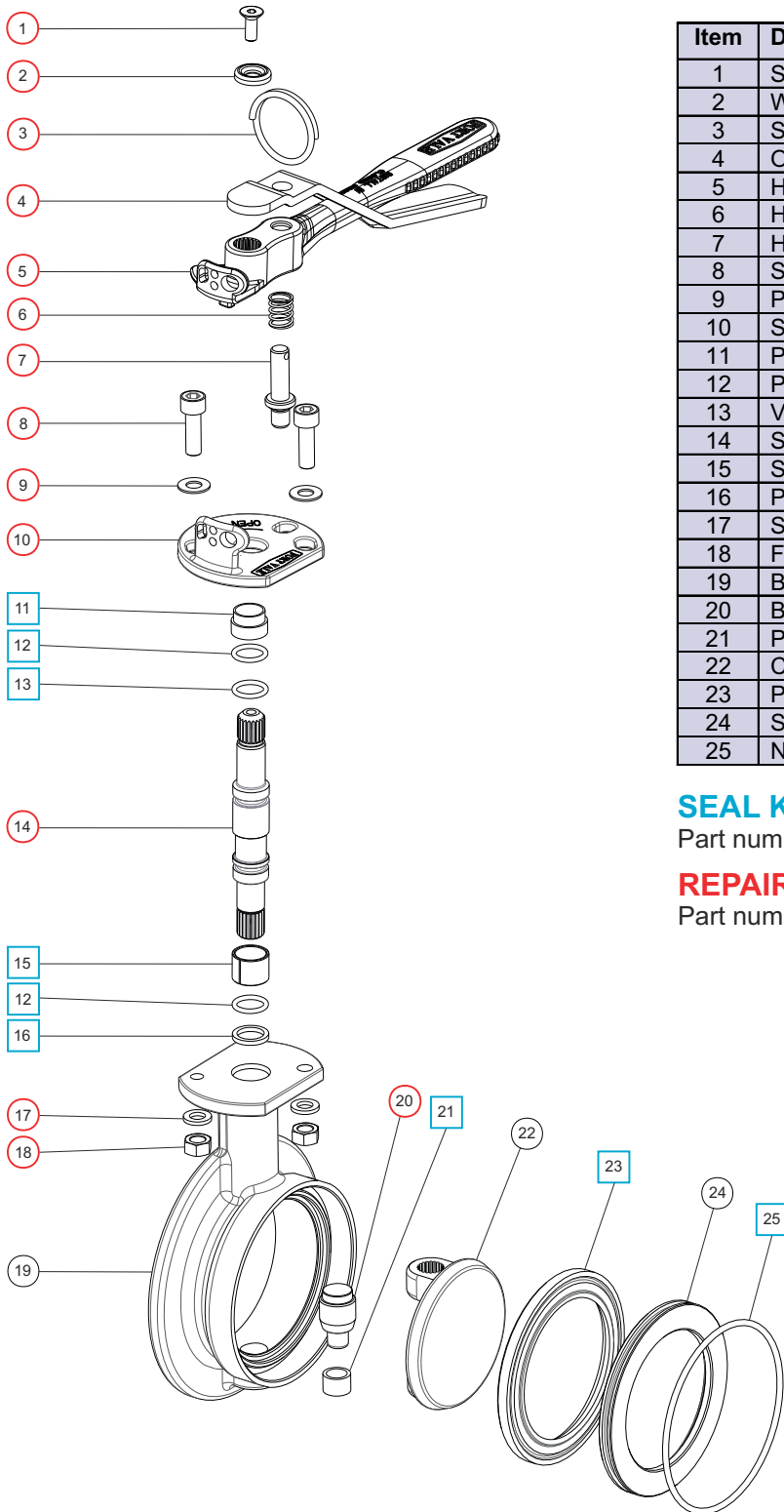


IMPORTANT NOTE

BUTTERFLY VALVE MUST BE ASSEMBLED TO THE FOOTVALVE/TANK OUTLET PIPEWORK WHILST IN THE **CLOSED** POSITION.

M16 BOLTS TORQUE SETTING : 80 NM (60 LBF FT)

Parts drawing



Item	Description	Part No.	
1	Sockethead setscrew	5111-030	○
2	Washer	20370	○
3	Split ring	368/0011	○
4	Operating lever	368/9837	○
5	Handle	368/0050	○
6	Handle location spring	368/0012	○
7	Handle location pin	368/0010	○
8	Sockethead capscrew (2)	5111-148	○
9	Plain washer (2)	5113-005	○
10	Stuffing clamp	368/0040	○
11	PTFE stuffing clamp bush	368/0301	□○
12	PTFE O ring (2)	20363	□○
13	Viton O ring	20361	□○
14	Spindle	368/0200	○
15	Split bearing	252/0517	□○
16	PTFE spindle seat	368/0009	□○
17	Spring washer (2)	5113-003	○
18	Full nut (2)	5112-001	○
19	Body	368/0150	
20	Bottom spindle	368/0036	○
21	PTFE bottom bush	368/0035	□○
22	Closure plate	368/0400	
23	PTFE main seal	368/0002	□○
24	Seal clamp plate	368/0045	
25	Nitrile O ring	5005-342	□○

SEAL KIT

Part number **368/00SK** contains all parts marked □

REPAIR KIT

Part number **368/00RKA** contains all parts marked ○



SELF ADHESIVE DECAL - PART NO. 368/0300

Text in English, German and French

A detailed step-by-step repair manual is now available for our range of discharge butterfly valves. Please contact our Sales team for further information.



3" Clamped Butterfly Valve with Spring Return Pneumatic Actuator - valve connection to actuator to ISO 5211 / DIN 3337 standards. Counter-clockwise opening. Contact parts manufactured in 316 stainless steel with PTFE seal.

Options - a full range of manually operated valves are available.

Specification

Weight	14 Kg
Design Pressure (MAWP)	6 Bar (87 PSI)
Test Pressure	10 Bar (145 PSI)
Max Actuator Pressure	8 Bar (116 PSI)
Valve Design Temperature Range	-40°C to 200°C (-40°F to 392°F)
Actuator Design Temperature Range	-20°C to 80°C (-4°F to 176°F)
M16 clamping bolts torque setting	81 NM (60 LBF FT)

Operating Pressure Requirements

Start to open	3.1 Bar (45 PSI)
Fully open	3.8 Bar (55 PSI)

Butterfly valve approved to BS EN14432

Range

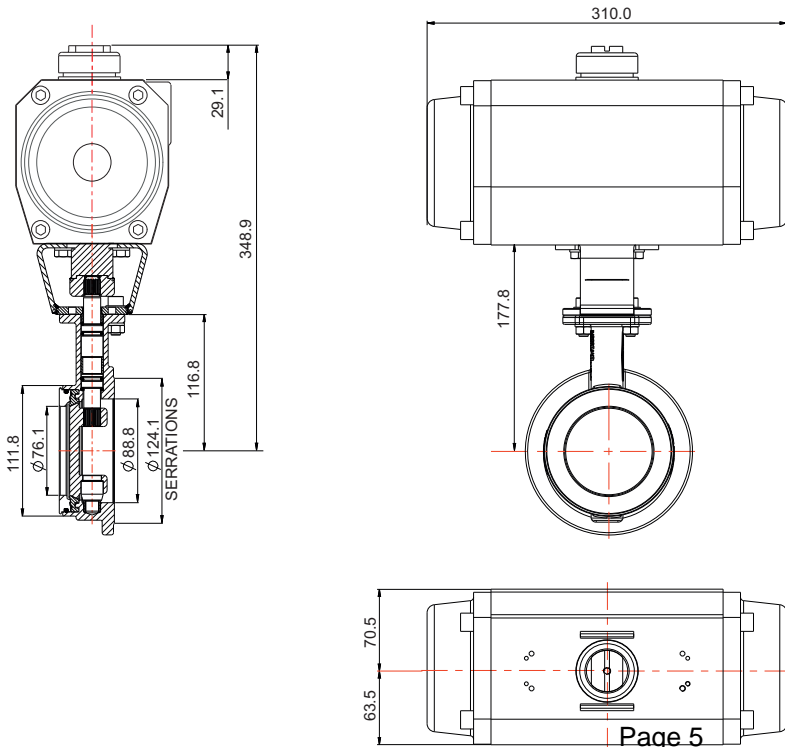
Part No.	Description
368/7000B	Standard manually operated butterfly valve
368/7000BPN	Butterfly valve with pneumatic actuator

Associated Parts

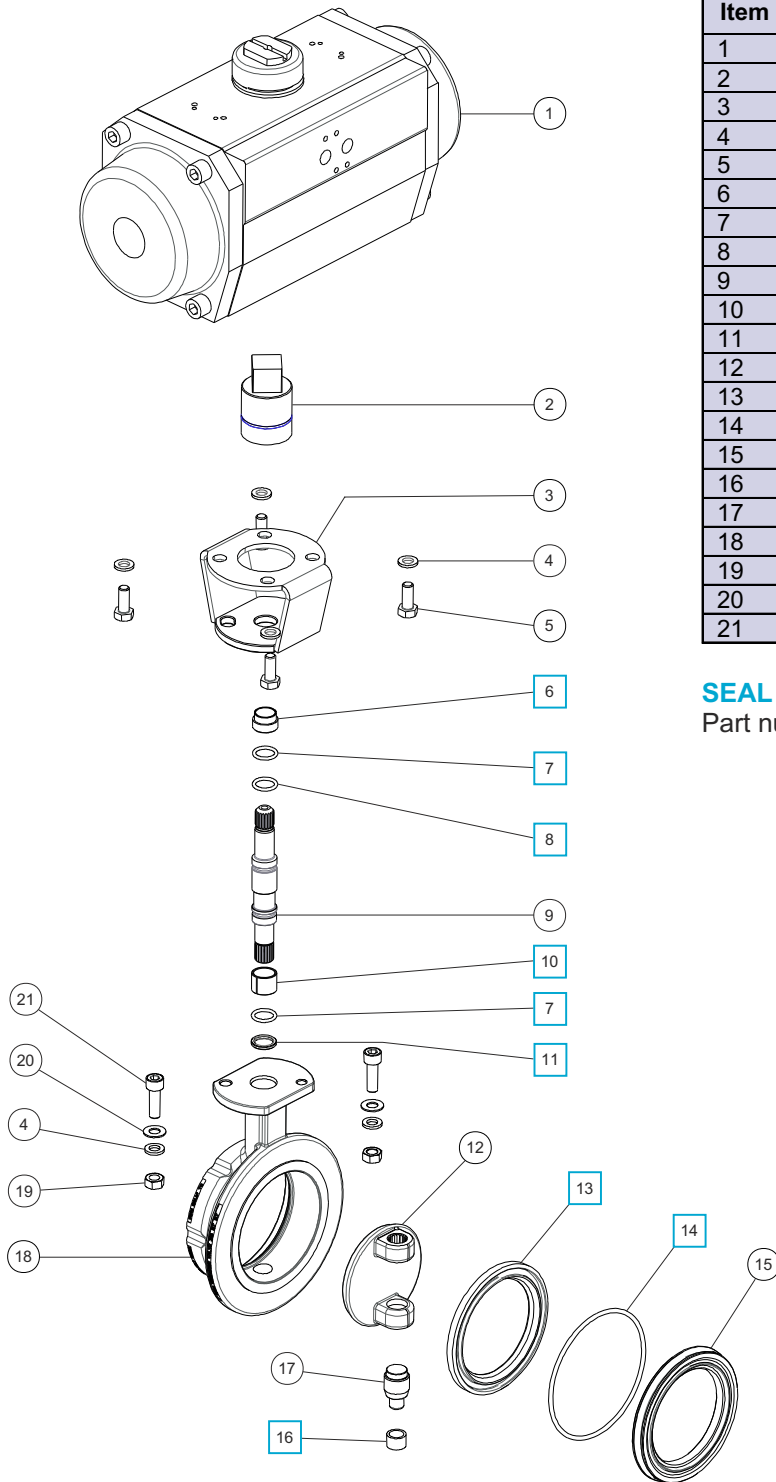
Part No.	Associated Parts
5005-049	CNAF/PTFE inlet gasket
5005-490	CNAF/PTFE outlet gasket
368/1100	Bolting kit
368/8047	3" BSP outlet flange
10303PS	3" BSP blank cap with PTFE washer
368/8058	3" Camlock outlet flange
90/DC300	3" Camlock blank cap
368/8049	3" NPT outlet flange
425/3250	3" NPT blank cap with PTFE washer

Fitting Details

Part Number : 368/7000BPN



Parts drawing



Item	Description	Part No.
1	Spring return actuator	5127-115
2	Drive adaptor assembly	368/2824
3	Bridge assembly	368/2820
4	M8 flat section spring washer (6)	5113-003
5	M8 x 20mm hex head bolt (4)	5111-822
6	Stuffing clamp bush	368/0301 <input type="checkbox"/>
7	PTFE O ring (2)	20363 <input type="checkbox"/>
8	Viton O ring	20361 <input type="checkbox"/>
9	Spindle	368/0200
10	Split bearing	252/0517 <input type="checkbox"/>
11	PTFE spindle seat	368/0009 <input type="checkbox"/>
12	Closure plate	368/0400
13	Main seal	368/0002 <input type="checkbox"/>
14	Nitrile O ring	5005-342 <input type="checkbox"/>
15	Seal clamp plate	368/0045
16	Bottom bush	368/0035 <input type="checkbox"/>
17	Bottom spindle	368/0036
18	Body	368/0150
19	M8 full nut (2)	5112-001
20	M8 plain washer (2)	5113-005
21	M8 x 25mm socket capscrew (2)	5111-148

SEAL KIT

Part number **368/00SK** contains all parts marked

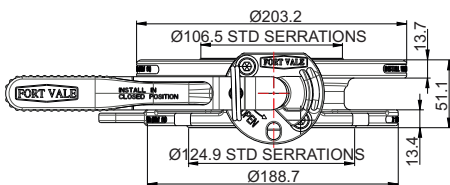
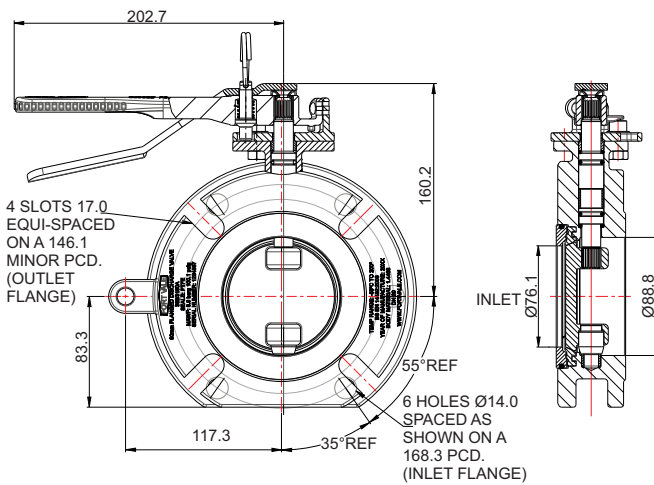


3" Flanged Butterfly Valve - inlet flange drilled 6 x 14mm holes spaced as shown below on a 168mm PCD; outlet flange with 4 slots 17mm equi-spaced on a 146mm PCD. Left hand operated with TIR and padlock facility to handle. Contact parts manufactured in 316 stainless steel with PTFE seals.

Options - alternative inlet flange drilling. "Congealing cargo" version with semi-spherical closure plate. Steam heated option.

Fitting Details

Part Number : 368/3160A
M12 BOLTS TORQUE SETTING : 50 NM (37 LBF FT)



Specification

Weight	7 Kgs
Design Pressure (MAWP)	6.9 Bar (100 PSI)
Test Pressure	10.35 Bar (150 PSI)
Design Temperature	-55°C to 200°C (-67° to 392°F)

Design approvals by Lloyds Register of Shipping, Rijksdienst, SNCF, RMRS. Approved to BS EN14432

Range

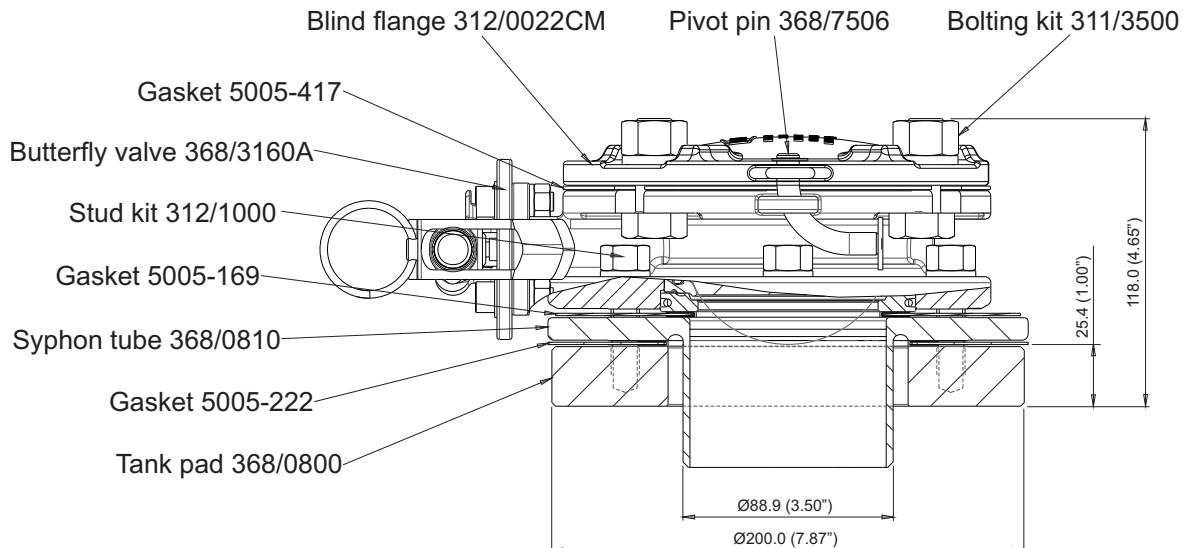
Part No.	Description
368/3160A	Inlet flange with flat, drilled 6 holes
368/3180A	Inlet flange dual drilled, 4 hole/4 hole
368/3280A	Inlet flange dual drilled, 6 hole/4 hole

Associated Parts

Associated Parts	Part No.
CNAF/PTFE inlet gasket	5005-169
Solid PTFE outlet gasket	5005-417
Dished blind flange	312/0022CM
Bolting kit	311/3500
Pivot pin	368/7506

Assembly Details

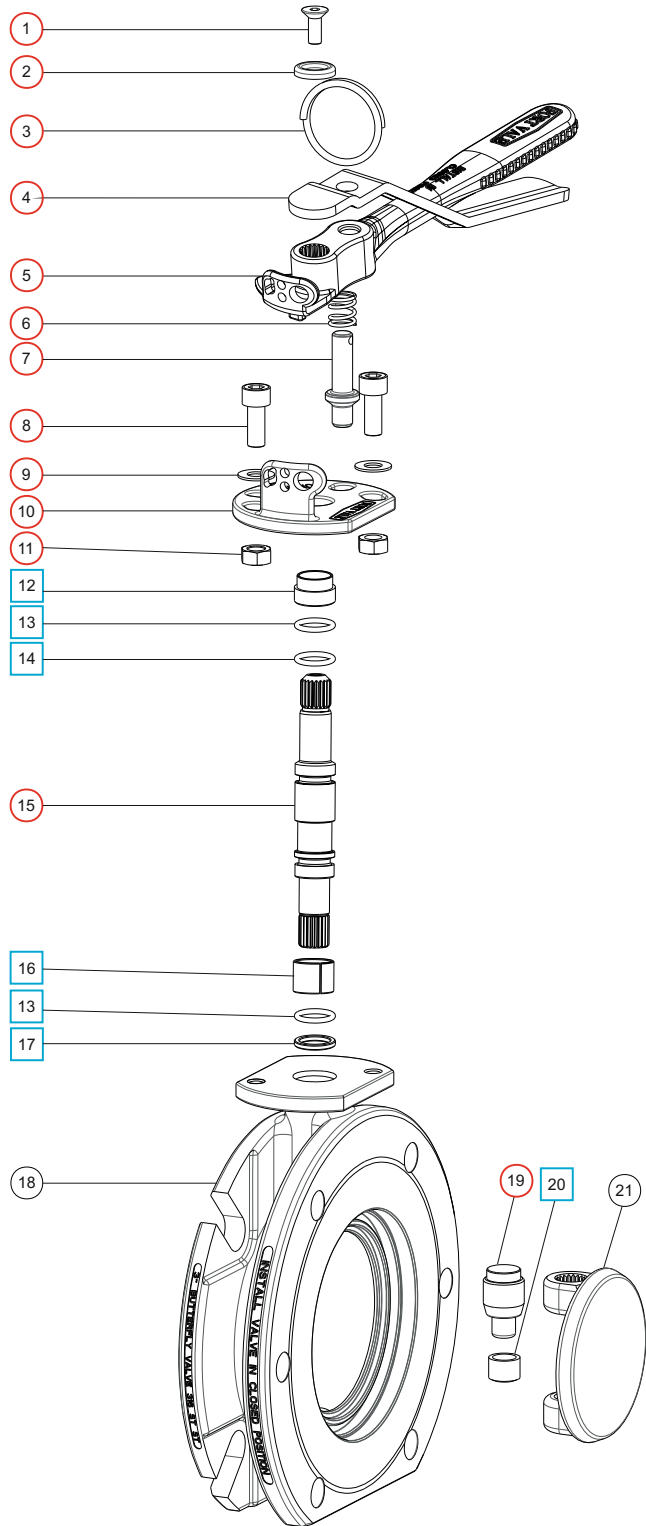
Example Top Discharge Assembly



Parts drawing



Part number: 368/3160A



Item	Description	Part No.	
1	Countersunk setscrew	5111-030	○
2	Washer	20370	○
3	Split ring	368/0011	○
4	Operating lever	368/9837	○
5	Handle	368/0050	○
6	Handle location spring	368/0012	○
7	Handle location pin	368/0010	○
8	Sockethead capscrew (2)	5111-255	○
9	Plain washer (2)	5113-005	○
10	Stuffing clamp	368/0040	○
11	Full nut (2)	5112-001	○
12	PTFE stuffing clamp bush	368/0301	□○
13	PTFE O ring (2)	20363	□○
14	Viton O ring	20361	□○
15	Spindle	368/0200	○
16	Split bearing	252/0517	□○
17	PTFE spindle seat	368/0009	□○
18	Body	368/9141	
19	Bottom spindle	368/0036	○
20	PTFE bottom bush	368/0035	□○
21	Closure plate	368/0400	
22	PTFE main seal	368/0002	□○
23	Nitrile O ring	5005-342	□○
24	Seal clamp plate	368/9148	

SEAL KIT

Part number **368/00SK** contains all parts marked □

REPAIR KIT

Part number **368/316RKA** contains all parts marked ○



SELF ADHESIVE DECAL Part No. 368/0300

Text in English, German & French



3" Flanged Butterfly Valve - inlet flange dual drilled: 6 x 14mm holes on a 168.3mm PCD and 4 x 18mm holes on a 160mm PCD. Outlet flange with 4 x 17mm open slots on a 146.1mm minor PCD. Left hand operated with TIR and padlock facility to handle. Contact parts manufactured in 316 stainless steel with PTFE main seal.

Options - different flange drillings and seal materials are available. Semi-spherical closure plate for congealing cargo.

Specification

Weight	6.9 Kgs
Design Pressure (MAWP)	6.9 Bar (100 PSI)
Test Pressure	10.35 Bar (150 PSI)
Design Temperature	-40°C to 200°C (-40°F to 392°F)

Approved to BS EN14432

Range

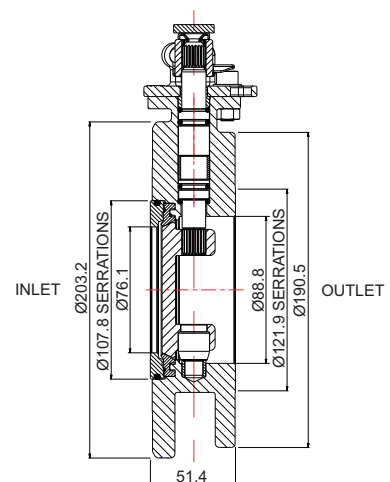
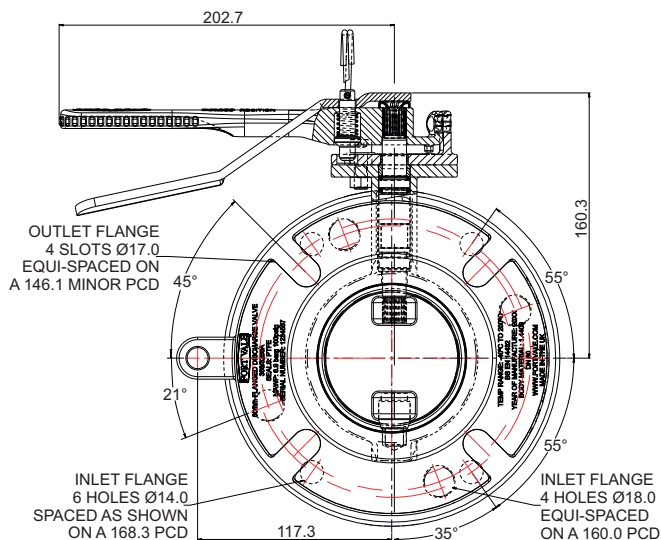
Part No.	Description
368/3280A	Inlet flange dual drilled, 6 hole/4 hole
368/3180A	Inlet flange dual drilled, 4 hole/4 hole
368/3160A	Inlet flange with flat, drilled 6 holes

Associated Parts

Associated Parts	Part No.
CNAF/PTFE dual drilled inlet gasket	5005-770
CNAF/PTFE inlet gasket - 6 hole	5005-222
CNAF/PTFE inlet gasket - 4 hole	5005-034
Solid PTFE outlet gasket	5005-417
Dished blind flange	312/0022CM
Outlet bolting kit	311/3500
Pivot pin	368/7506

Parts drawing

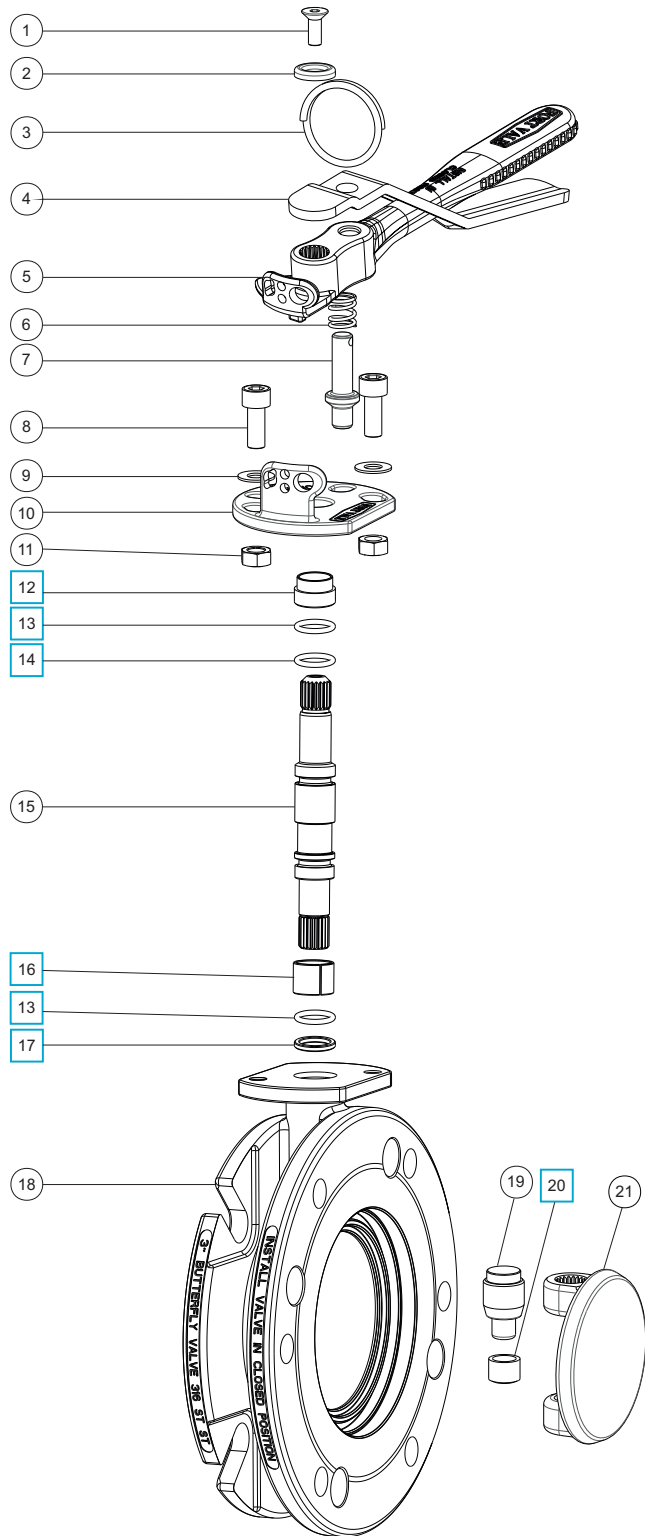
Part number: 368/3280A



Parts drawing



Part number: 368/3280A



Item	Description	Part No.	
1	Sockethead setscrew	5111-030	
2	Washer	20370	
3	Split ring	368/0011	
4	Operating lever	368/9837	
5	Handle	368/0050	
6	Handle location spring	368/0012	
7	Handle location pin	368/0010	
8	Sockethead capscrew (2)	5111-255	
9	Plain washer (2)	5113-005	
10	Stuffing clamp	368/0040	
11	Full nut (2)	5112-001	
12	PTFE stuffing clamp bush	368/0301	<input type="checkbox"/>
13	PTFE O ring (2)	20363	<input type="checkbox"/>
14	Viton O ring	20361	<input type="checkbox"/>
15	Spindle	368/0200	
16	Split bearing	252/0517	<input type="checkbox"/>
17	PTFE spindle seat	368/0009	<input type="checkbox"/>
18	Body	368/9192	
19	Bottom spindle	368/0036	
20	PTFE bottom bush	368/0035	<input type="checkbox"/>
21	Closure plate	368/0400	
22	PTFE main seal	368/0002	<input type="checkbox"/>
23	Nitrile O ring	5005-342	<input type="checkbox"/>
24	Seal clamp plate	368/9148	

SEAL KIT

Part number **368/00SK** contains all parts marked



SELF ADHESIVE DECAL - PART NO. 368/0300

Text in English, German and French



3" NB Tank-Pro Butterfly Valve - weld-prepared inlet and 3"BSP threaded outlet. Lockable handle with T.I.R. as standard. Contact parts manufactured in 316 stainless steel with PTFE main seal.

Options - body may be supplied with or without 3/8"BSP venting port. Outlet may be supplied 3"BSP standard or extended, 3"NPT or weld-prepared. Congealing cargo closure plate may be incorporated.

Features

- Designed specifically to meet the needs of the road tanker industry and especially suited to chemical applications.
- Supplied as a complete unit requiring no extra parts to assemble the valve to the tank.
- The valve concept eliminates the need for the valve to be centralized when fitting to the tank, thus avoiding potential valve damage and/or leakage.
- Optional 3/8"BSP port integral to the valve body allows for a purge or sampling facility.
- Clean valve internal lines reduces the risk of contamination between successive cargoes.
- Eccentric outlet facilitates full self-draining.
- Simple maintenance procedure with all internal mechanism and seals common to the standard Fort Vale 3" butterfly valve, thus reducing the required stock of spare parts.
- Lockable handle with TIR facility as standard to meet ADR requirements. A removable square drive key is included with each valve.

Specification

Weight	6.07 Kgs
Design Pressure	6 Bar (87 PSI)
Body Hydraulic Test Pressure	10 Bar (145 PSI)
Design Temperature	-40°C to 200°C (-40°F to 392°F)

Lloyds Register of Shipping Design Appraisal document number **DCF9376/1**. Approved to **BS EN14432**.
Rijksdienst voor het Wegverkeer Approval number **VLG S-9301**.

Range

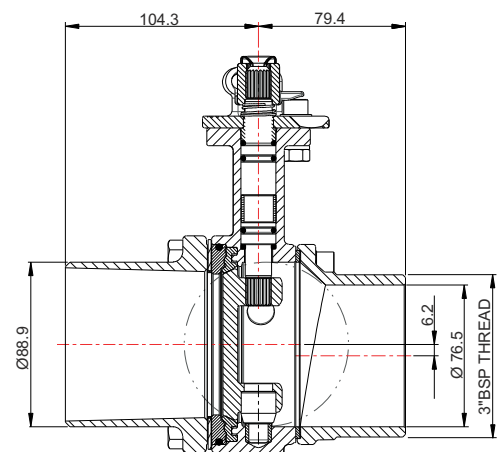
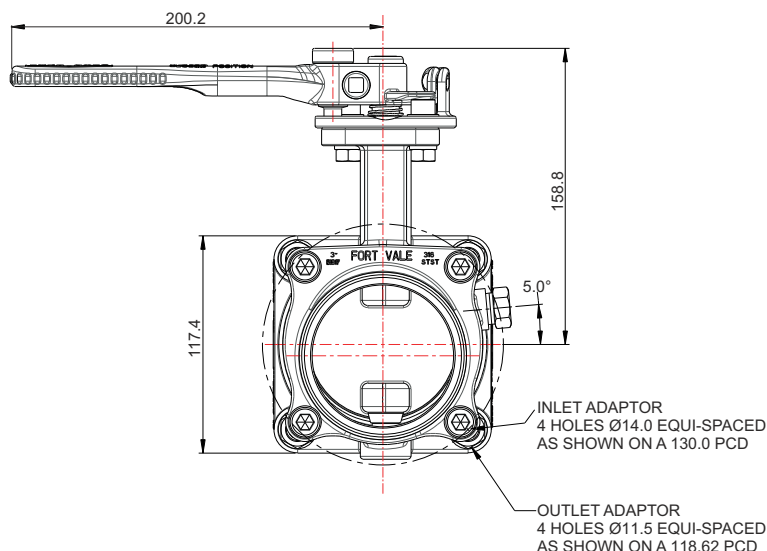
Part No.	Body	Outlet
368/9400SXBA	Non-vented	3"BSP standard
368/9400SVBA	Vented 3/8" BSP	3"BSP standard
368/9400SXEA	Non-vented	3"BSP extended
368/9400SVEA	Vented 3/8" BSP	3"BSP extended

Associated Parts

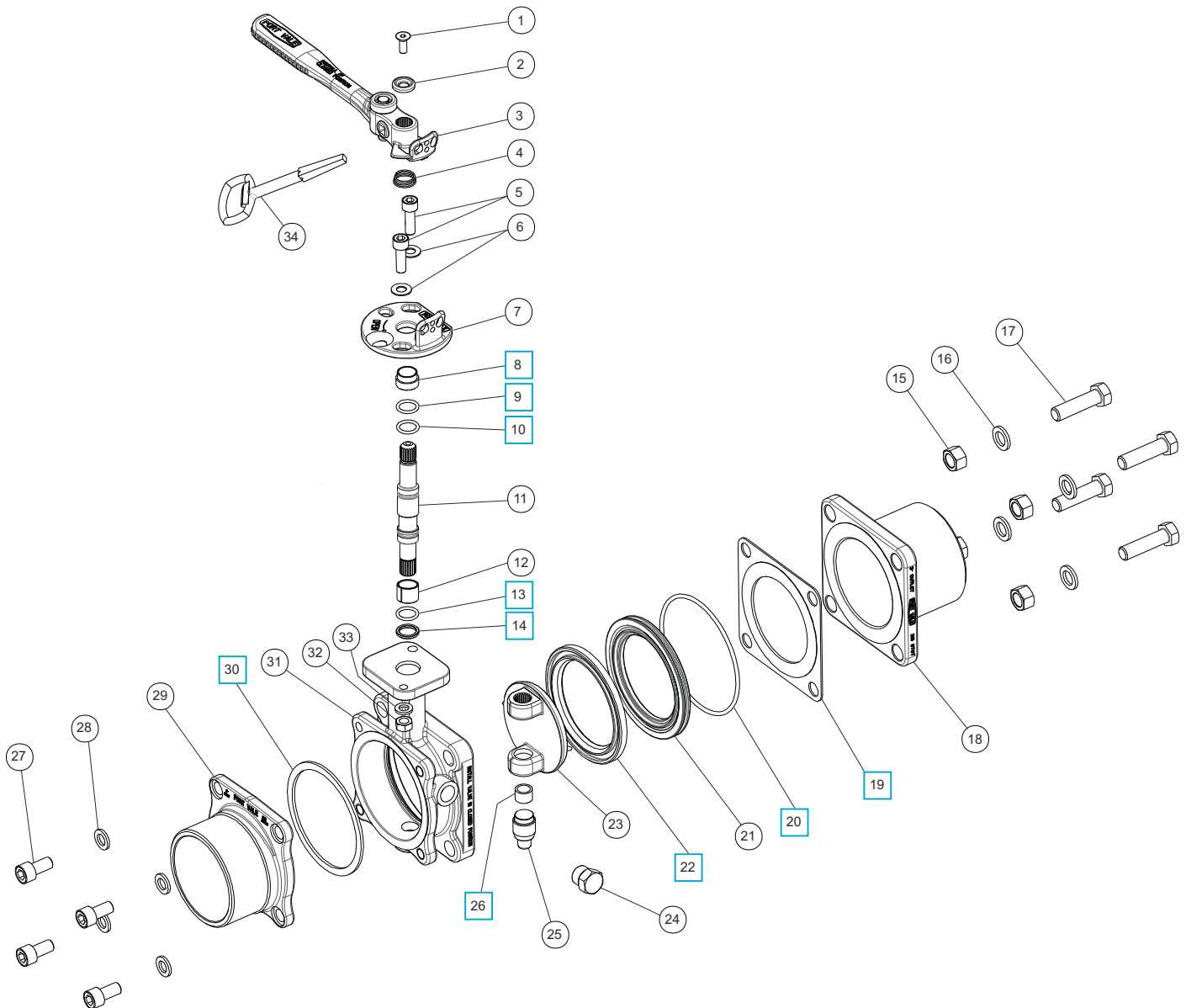
Associated Parts	Part No.
3" BSP blank cap with PTFE seal	10303PS
Conversion mounting kit	368/9401KIT

Fitting Details

Example shown : 3" Tank-Pro Butterfly Valve - part number 368/9400SXBA



Parts drawing



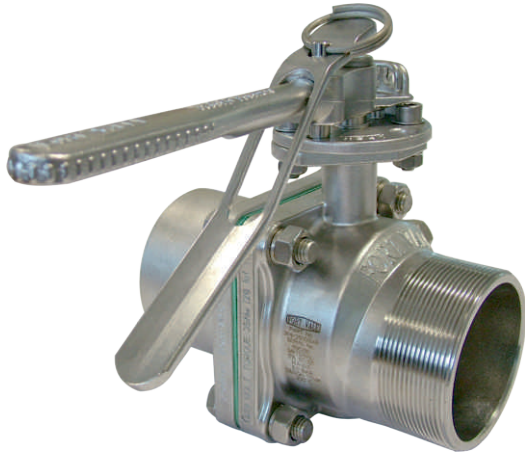
Item	Description	Part No.
1	M6 socket head set screw	5111-030
2	Washer	20370
3	Handle assembly	368/0075
4	Electrical continuity spring	368/0014
5	M8 socket head cap screw (2)	5111-148
6	M8 plain washer (2)	5113-005
7	Stuffing plate	368/0041
8	Stuffing clamp bush	368/0301 <input type="checkbox"/>
9	PTFE O Ring	20363 <input type="checkbox"/>
10	Viton O ring	20361 <input type="checkbox"/>
11	Spindle	368/0200
12	Split bearing *See Note A	252/0517
13	Perfluoroelastomer O Ring	5005-586 <input type="checkbox"/>
14	PTFE spindle seat	368/0009 <input type="checkbox"/>
15	M12 full nut (4)	5112-006
16	M12 spring washer (4)	5113-010
17	M12 hex head set screw (4)	5111-023

Note A : Split bearing, part no. 252/0517 is used in valves manufactured since November 2011. Please order 252/0517 in addition to 368/00SK if it is required as a spare part.

Item	Description	Part No.
18	Inlet adaptor *See Note B	368/9410
19	CNAF/PTFE inlet gasket	5005-707 <input type="checkbox"/>
20	Nitrile O ring	5005-342 <input type="checkbox"/>
21	Seal clamp	368/9148
22	PTFE main seal	368/0002 <input type="checkbox"/>
23	Closure plate	368/0400
24	3/8 Taper plug *See Note B	5128-0XX
25	Bottom spindle	368/0036
26	Bottom spindle bush	368/0035 <input type="checkbox"/>
27	M10 socket head cap screw (4)	5111-053
28	M10 spring washer (4)	5113-002
29	3" BSP outlet *See Note B	368/9430
30	PTFE outlet seal	5005-706 <input type="checkbox"/>
31	Body (non-vented) *See Note B	368/9420A
32	M8 full nut (2)	5112-001
33	M8 spring washer (2)	5113-003
34	Key	368/4625

Note B : Part number varies according to specification

SEAL KIT part number 368/94SK contains all parts marked



3" Unify Road Tanker Butterfly Valve - weld-prepared inlet and 3" BSP threaded outlet. Contact parts manufactured in 316 stainless steel with PTFE main seal.

Options - body may be supplied with or without 3/8" BSP venting port. Inlet adaptor available straight, angled or with 85mm I/D.

Range

Part No.	Body	Inlet Adaptor
368/2500AVA	Vented 3/8" BSP	Angled
368/2500ANA	Non-vented	Angled
368/2500SVA	Vented 3/8" BSP	Straight
368/2500SNA	Non-vented	Straight
368/2500BVA	Vented 3/8" BSP	85mm I/D
368/2500BNA	Non-vented	85mm I/D
368/2500NVA	Vented 3/8" BSP	No inlet adaptor
368/2500NNA	Non-vented	No inlet adaptor

Specification

Weight	5.76 Kgs
Design Pressure (MAWP)	6 Bar (87 PSI)
Service Test Pressure	10 Bar (145 PSI)
Design Temperature Range	-40°C to 200°C -40°F to 392°F

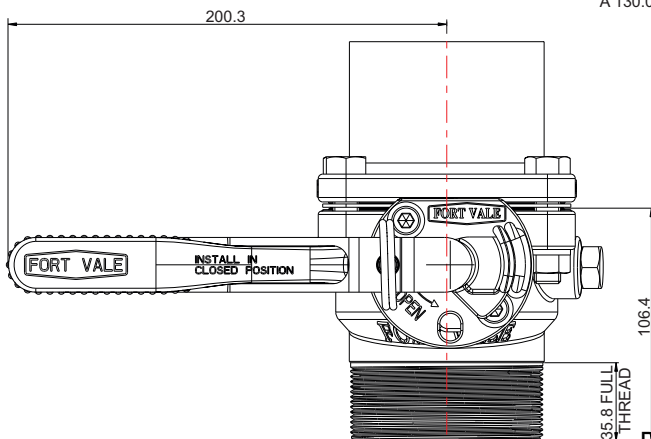
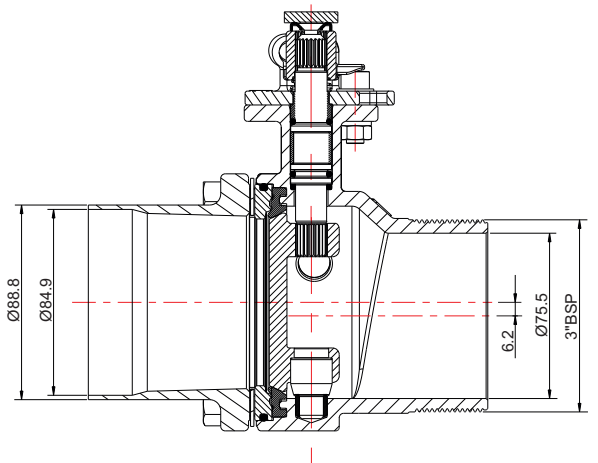
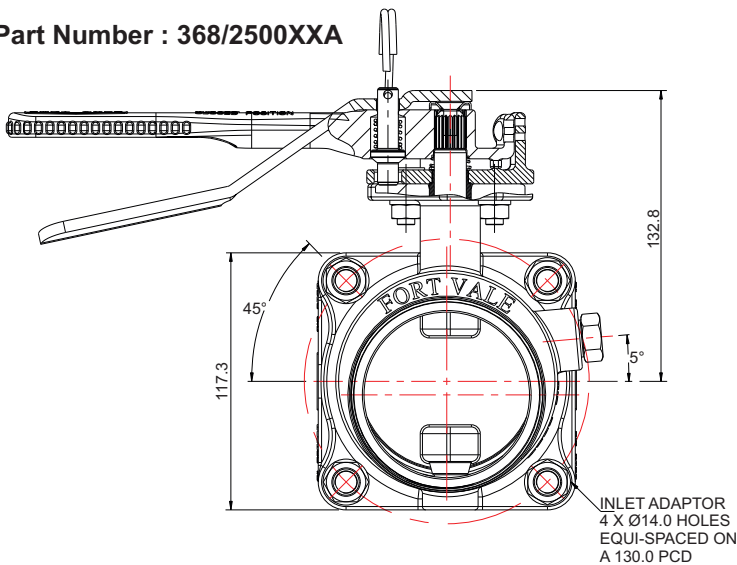
Approved to BS EN14432.

Associated Parts

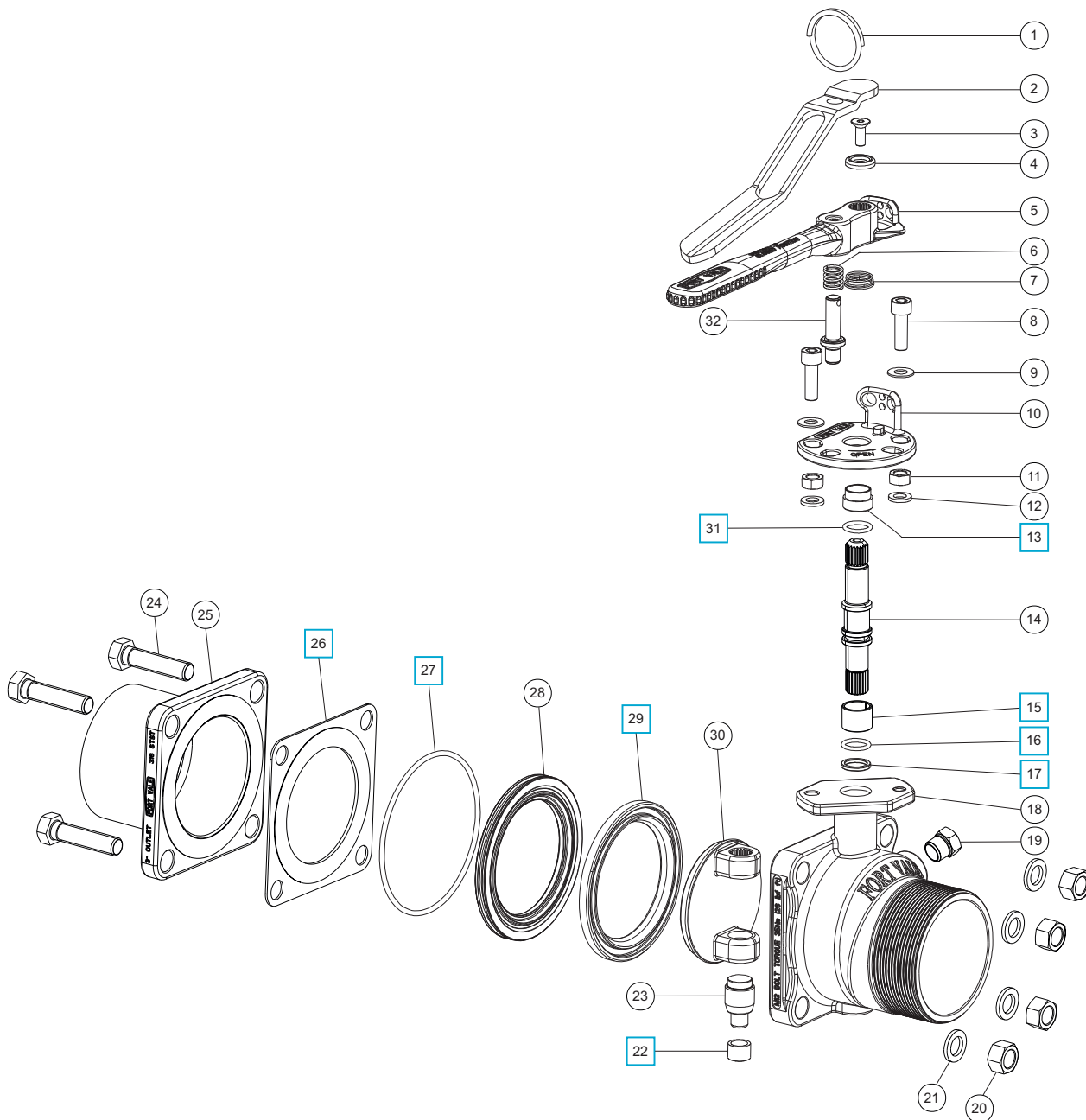
Part Number	Description
10303PS	3" BSP blank cap with PTFE seal

Fitting Details

Part Number : 368/2500XXA



Parts drawing



Item	Description	Part No.
1	Split ring	368/0011
2	Handle lever	368/9837
3	Countersunk bolt	5111-030
4	Retaining washer	20370
5	Butterfly handle	368/0050
6	Handle spring	368/0012
7	Electrical continuity spring	368/0014
8	M8 cap screw (2)	5111-148
9	M8 plain washer (2)	5113-005
10	Stuffing clamp	368/0040
11	M8 full nut (2)	5112-001
12	M8 spring washer (2)	5113-003
13	Stuffing clamp bush	368/0301 <input type="checkbox"/>
14	Spindle	368/0201
15	Split bearing	252/0517 <input type="checkbox"/>
16	Viton O ring	20361 <input type="checkbox"/>
17	PTFE spindle seat	368/0009 <input type="checkbox"/>

SEAL KITPart number **368/25SK** contains all parts marked

Item	Description	Part No.
18	Butterfly valve body with vent	368/2520
	Butterfly valve body without vent	368/2510
19	3/8" BSP taper plug *See note	5128-011
20	M12 full nut (4)	5112-006
21	M12 spring washer (4)	5113-010
22	Bottom bush	368/0035 <input type="checkbox"/>
23	Bottom spindle	368/0036
24	M12 hex bolt (4)	5111-032
25	Inlet flange **See note	368/94XX
26	CNAF/PTFE gasket	5005-707 <input type="checkbox"/>
27	Nitrile O ring	5005-342 <input type="checkbox"/>
28	Seal clamp	368/9148
29	PTFE main seal	368/0002 <input type="checkbox"/>
30	Closure plate	368/0400
31	PTFE O ring	20363 <input type="checkbox"/>
32	Handle location pin	368/0010

Note** Item 19 is required only on the vented assembly.*Note** Item 25 part no. varies according to specification.

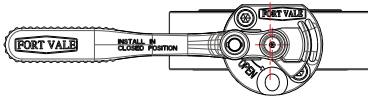
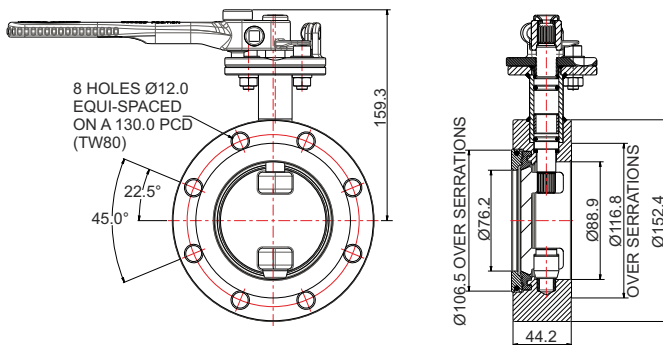


80mm Clamped Butterfly Valve - drilled TW 80. Designed to clamp between two TW80 flanges with the bolts passing through the valve body holes. Left hand operated lockable handle with T.I.R. Contact parts manufactured in 316 stainless steel with PTFE seal.

Options - TW100 style body.

Fitting Details

Example shown : 368/5500B



Specification

Weight 5.4 Kg
 Design Pressure (MAWP) 6 Bar (87 PSI)
 Test Pressure 10 Bar (145 PSI)
 Design Temperature -40°C to 200°C
 (-40°F to 392°F)

Design approval by AIB Vincotte.
 Approved to BS EN14432

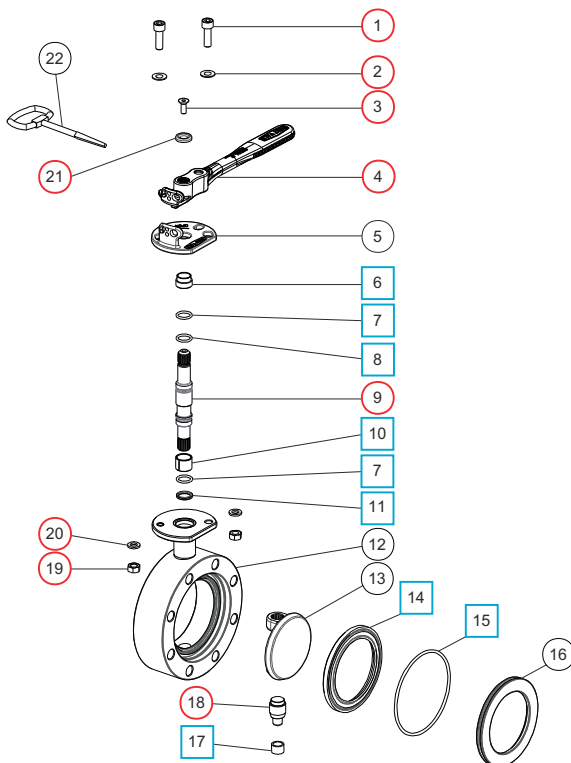
Range

Part No.	Description
368/5500B	TW80 clamped butterfly valve
468/5500B	TW100 clamped butterfly valve

Associated Parts

Part No.	Associated Parts
5005-715	PTFE/CNAF TW80 envelope gasket
845/8001	TW80 mating flange
368/5513	3" BSP eccentric TW80 outlet flange

Parts Drawing



Item	Description	Part No.
1	M8 socket capscrew (2)	5111-148
2	M8 plain washer (2)	5113-005
3	M6 countersunk setscrew	5111-030
4	Barrel lock handle	368/0075
5	Stuffing clamp	368/0041
6	Stuffing clamp bush	368/0301
7	PTFE O ring (2)	20363
8	Viton O ring	20361
9	Butterfly valve spindle	368/0200
10	Split bearing	252/0517
11	PTFE spindle seat	368/0009
12	Body	368/5510
13	Closure plate	368/0400
14	Main seal	368/0002
15	Nitrile O ring	5005-342
16	Seal clamp	368/9148
17	Bottom bush	368/0035
18	Bottom spindle	368/0036
19	M8 full nut (2)	5112-001
20	M8 flat section spring washer (2)	5113-003
21	Washer	20370
22	Operating key (sold separately)	368/4625

SEAL KIT 368/00SK contains all parts marked
REPAIR KIT 368/50RKB contains all parts marked

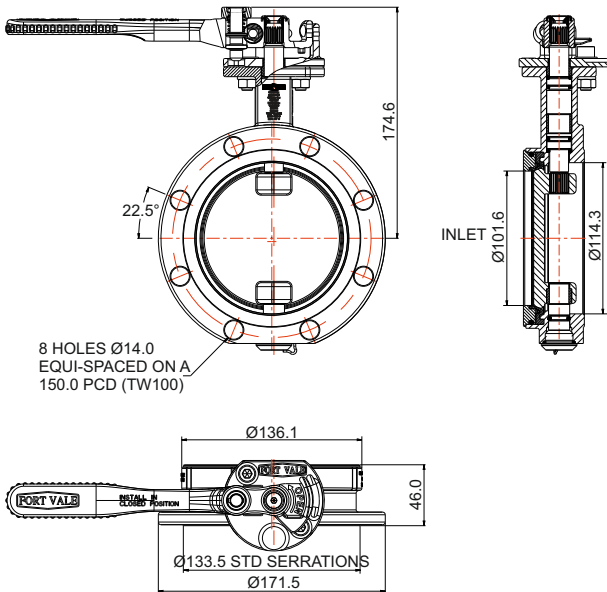


100mm Clamped Butterfly Valve - drilled TW100. Designed to clamp between two TW100 flanges with the bolts passing through the valve body holes. Left hand operated lockable handle with T.I.R. Contact parts manufactured in 316 stainless steel with Flextyt main seal.

Options - TW80 style body.

Fitting Details

Part Number: 468/5600B



Specification

Weight	3.85 Kg
Design Pressure (MAWP)	6 Bar (87 PSI)
Test Pressure	9 Bar (130.5 PSI)
Design Temperature Range	-40°C to 200°C (-40°F to 392°F)

Approved to BS EN14432

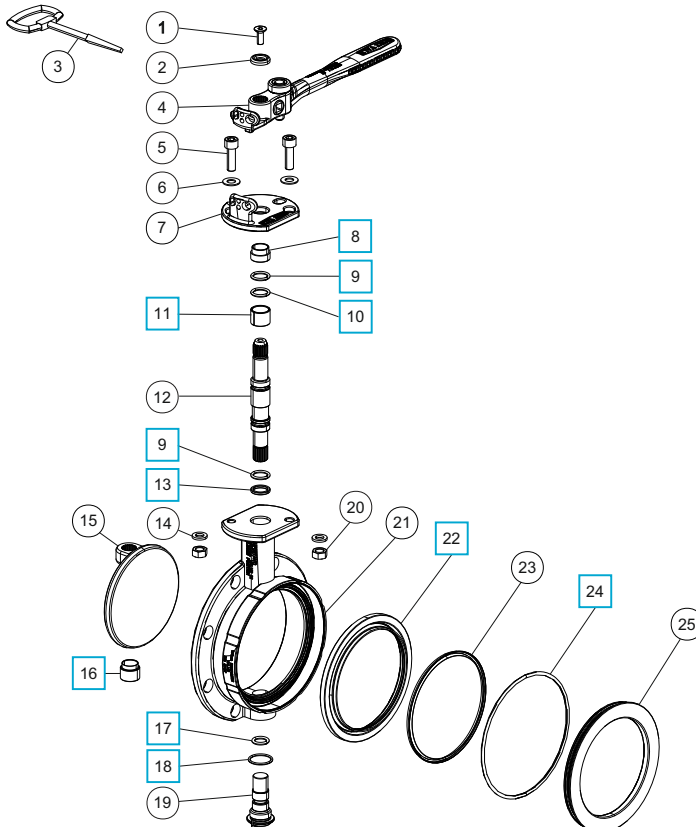
Range

Part No.	Description
468/5600B	TW100 clamped butterfly valve
368/5500B	TW80 clamped butterfly valve

Associated Parts

Part No.	Associated Parts
5005-832	PTFE/CNAF TW100 inlet gasket
5005-832/1	PTFE/CNAF TW100 outlet gasket
875/8001	TW100 mating flange
468/5175	4" BSP eccentric TW100 outlet flange

Parts drawing



Item	Description	Part No.
1	M6 countersunk setscrew	5111-030
2	Washer	20370
3	Operating key	368/4625
4	Barrel lock handle	368/0075
5	M8 socket capscrew (2)	5111-148
6	M8 plain washer (2)	5113-005
7	Stuffing clamp	368/0041
8	Stuffing clamp bush	368/0301 <input type="checkbox"/>
9	PTFE O ring (2)	20363 <input type="checkbox"/>
10	Viton O ring	20361 <input type="checkbox"/>
11	Split bearing	252/0517 <input type="checkbox"/>
12	Spindle	368/0200
13	PTFE spindle seat	368/0009 <input type="checkbox"/>
14	M8 flat section spring washer (2)	5113-003
15	Closure plate	468/0400
16	Bottom bush	468/0035 <input type="checkbox"/>
17	Perfluoroelastomer O ring	ORB614K1 <input type="checkbox"/>
18	PTFE O ring	5005-160 <input type="checkbox"/>
19	Bottom spindle	468/0005
20	M8 full nut (2)	5112-001
21	4" Butterfly valve body	468/0170
22	Flextyt PTFE main seal	468/0030 <input type="checkbox"/>
23	Flextyt seal spring	468/0031
24	Nitrile O ring	5005-357 <input type="checkbox"/>
25	Seal clamp plate	468/0033

SEAL KIT 468/56SKB contains all parts marked



4" Clamped Butterfly Valve - left hand operated with TIR to handle and padlock facility. Contact parts manufactured in 316 stainless steel with Flexityt main seal.

Options - lockable handle. "Congealing cargo" version with semi-spherical closure plate. Version with high temperature seals. Pneumatic actuator available.

Range of 2" and 3" clamped valves is available.

Specification

Weight	4 Kg
Design Pressure (MAWP)	6 Bar (87 PSI)
Test Pressure	10 Bar (145 PSI)
Design Temperature Range	-40°C to 250°C (-40°F to 482°F)

The above information varies according to the valve specification.

Design approval by Lloyds Register of Shipping. Approved to BS EN14432.

Range

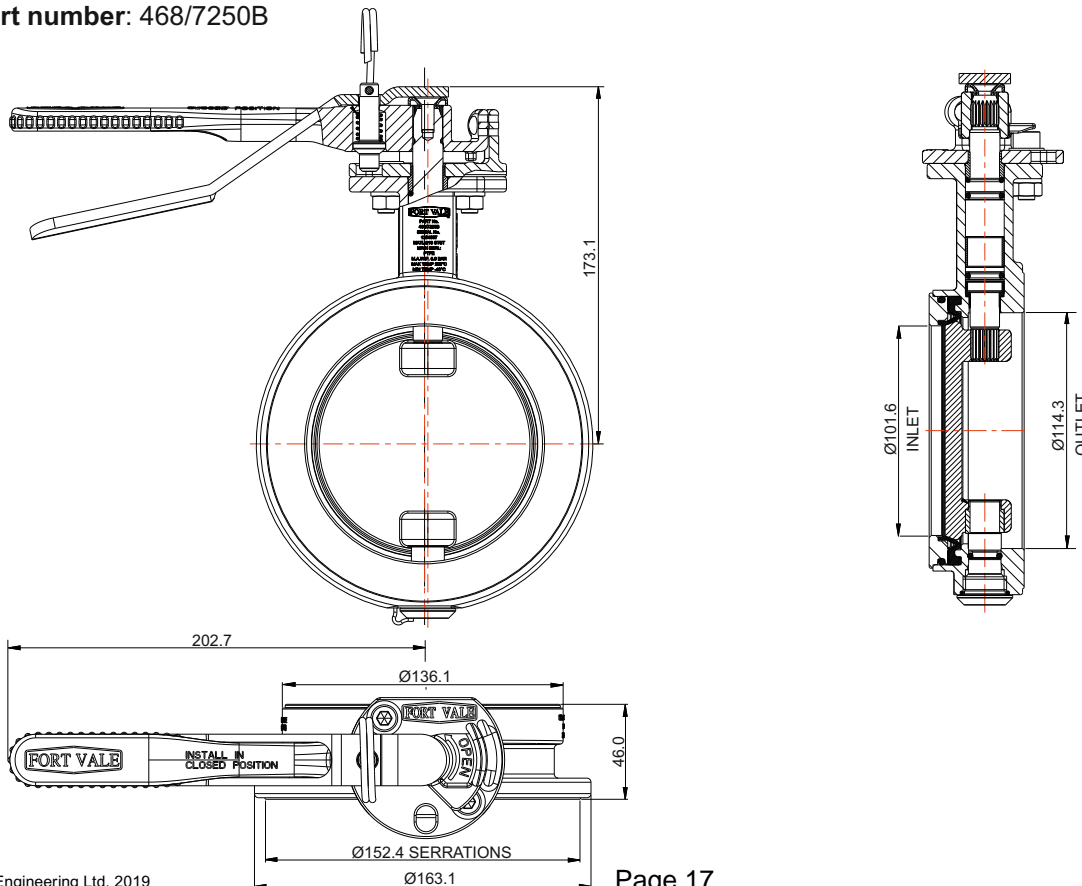
Part No.	Description
468/7250B	Standard butterfly valve
468/7200BPN	Pneumatically actuated
468/725HTB	Fitted with high temperature seals
468/7260SHB	St.heated, semi-spherical closure plate

Associated Parts

Associated Parts	Part No.
CNAF/PTFE inlet gasket	5005-468
CNAF/PTFE outlet gasket	5005-469
Bolting kit (8 x bolts, nuts, washers)	468/1100
4" BSP outlet flange	468/8047
4" BSP blank cap with PTFE washer	10304PSC
4" NPT outlet flange	468/8049
4" NPT blank cap with PTFE washer	425/4000

Fitting Details

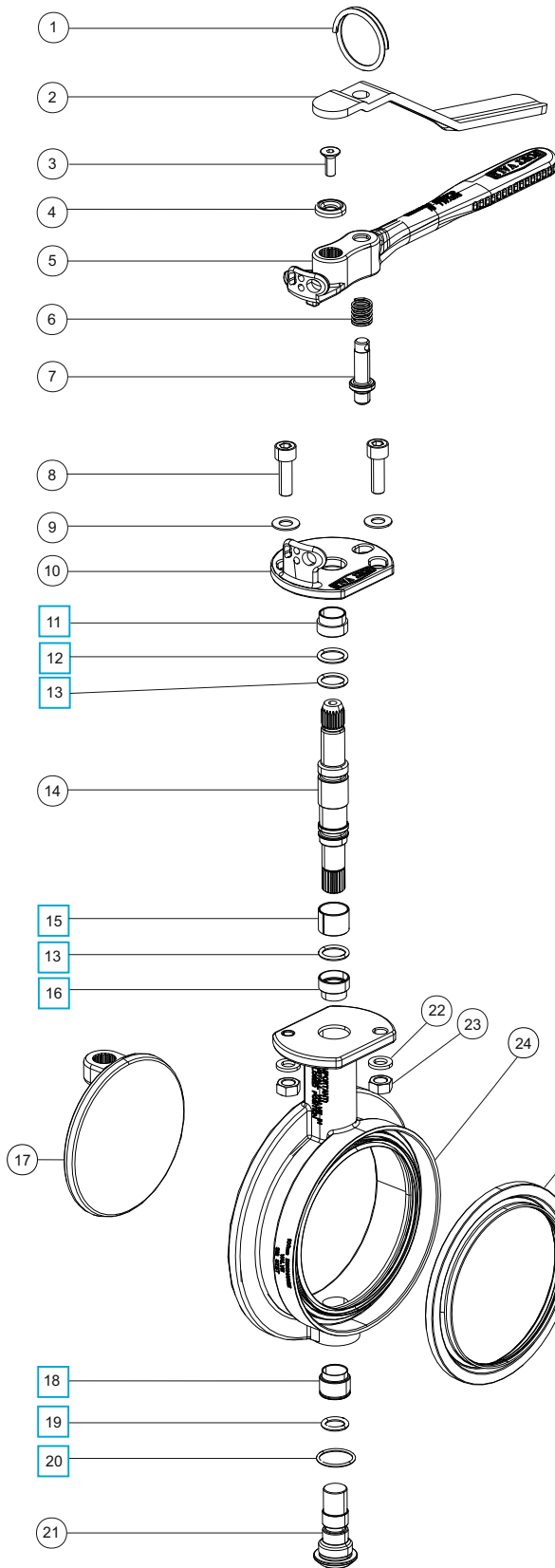
Part number: 468/7250B



Parts drawing



Part number : 468/7250B



Item	Description	Part No.	
1	Split ring	368/0011	
2	Operating lever	368/9837	
3	Countersunk bolt	5111-030	
4	Washer	20370	
5	Handle	368/0050	
6	Handle spring	368/0012	
7	Handle location pin	368/0010	
8	Sockethead capscrew (2)	5111-148	
9	Plain washer (2)	5113-005	
10	Stuffing clamp	368/0040	
11	PTFE stuffing clamp bush	368/0301	<input type="checkbox"/>
12	PTFE O ring	20363	<input type="checkbox"/>
13	Viton O ring (2)	20361	<input type="checkbox"/>
14	Spindle	368/0205	
15	Split bearing	368/0039	<input type="checkbox"/>
16	PTFE bearing	368/0009HT/1	<input type="checkbox"/>
17	Closure plate	468/0400	
18	PTFE bush	468/0035	<input type="checkbox"/>
19	High temperature seal	ORB614K1	<input type="checkbox"/>
20	PTFE O ring	5005-160	<input type="checkbox"/>
21	Lower spindle	468/0005	
22	Spring washer (2)	5113-003	
23	Full nut (2)	5112-001	
24	Body	468/0200	
25	Flexityt PTFE main seal	468/0030	<input type="checkbox"/>
26	Flexityt seal spring	468/0031	
27	Nitrile O ring	5005-357	<input type="checkbox"/>
28	Seal clamp plate	468/0033	

SEAL KIT

Part number 468/725SKB contains all parts marked



Fort Vale UK
Head Office & Manufacturing Plant

Tel : +44 (0)1282 687120
Fax : +44 (0)1282 687110
Email : sales@fortvale.com

Fort Vale USA

Tel : +1 281 471 8100
Fax : +1 281 471 8116
Email : ussales@fortvale.com

Fort Vale Netherlands

Tel : +31 (0)180 483333
Fax : +31 (0)180 410797
Email : bvsales@fortvale.com

Fort Vale Russian Federation

Tel : +7 916 682 0947
Email : rw@fortvale.ru

Fort Vale P.R. China

Tel : +86 21 6442 1367
Fax : +86 21 6442 1376
Email : cnsales@fortvale.com

Fort Vale Singapore

Tel : +65 6515 9950
Fax : +65 6515 3034
Email : sgsales@fortvale.com

Fort Vale Australia

Tel : +61 7 3310 4854
Email : ausales@fortvale.com

www.fortvale.com

All goods supplied will be subject to Fort Vale Engineering Ltd Terms and Conditions of Sale (Ref. FV4) which are available upon request, or may be viewed at www.fortvale.com.

Please note that this brochure and the contents herein remain the property of Fort Vale Engineering Limited.

This brochure may not be copied or reproduced, or the information contained herein divulged to any third party without the prior written permission of Fort Vale Engineering Limited.

Repair/refurbishment/resetting of Fort Vale valves may be carried out only by trained and authorised personnel. Fort Vale Engineering Limited shall not, in any circumstances, be liable for injuries, losses, expenses or damage, direct or consequential, sustained by the buyer or any person which may in any degree be attributable to the adoption, either by the buyer or any third party, of technical or other information, data or advice given on behalf of Fort Vale Engineering Limited or however otherwise caused in relation to the use of its products in accordance with Fort Vale Engineering Limited's recommendation.

The specifications included in this catalogue are intended to be generic and must be interpreted as equivalent or functionally equivalent. The identification of many items is facilitated by illustrations (photographs and line drawings). The mention of, or reference to specific companies, national standards, or trade names, including those that might appear on the photographs, is intended for illustration purposes only. It does not imply an endorsement, preference or availability of any specific standard, brand or supplier.

The data and information contained herein is being provided for information only and without responsibility, and Fort Vale Engineering Limited makes no representations or warranties, either expressed or implied, as to the accuracy, completeness, or fitness for a particular purpose. Fort Vale Engineering Limited does not accept any responsibility or liability with regard to the reliance on, or use of this data and information.

